

## Features

- Designed to fit cabinetry with a minimum base size of 36" (914.4 mm)
- Integrated workstation single bowl design supports sliding accessories to streamline food preparation and cleanup
- 10" (254 mm) deep bowls accommodate large cookware and daily kitchen tasks
- R10 radius corners enhance hygiene and simplify cleaning while maintaining a clean, modern appearance
- Compatible with coordinated accessory system for enhanced workflow

## Material & Finish

- Manufactured from high-quality 304 stainless steel
- Available in 16-gauge, 18-gauge, and 20-gauge options
- Engineered for corrosion resistance, surface durability, and long-term performance

## Recommended Products/Accessories

- LST0 Stainless Steel Strainer
- LGSM0-3319 Stainless Steel Bottom Grid
- LRMO Stainless Steel Roll Mat
- LCLOR Stainless Steel Colander
- LCBSW-17 Wood Cutting Board

## Installation

- Under-mount

Single Bowl Under mount  
Workstation Sink

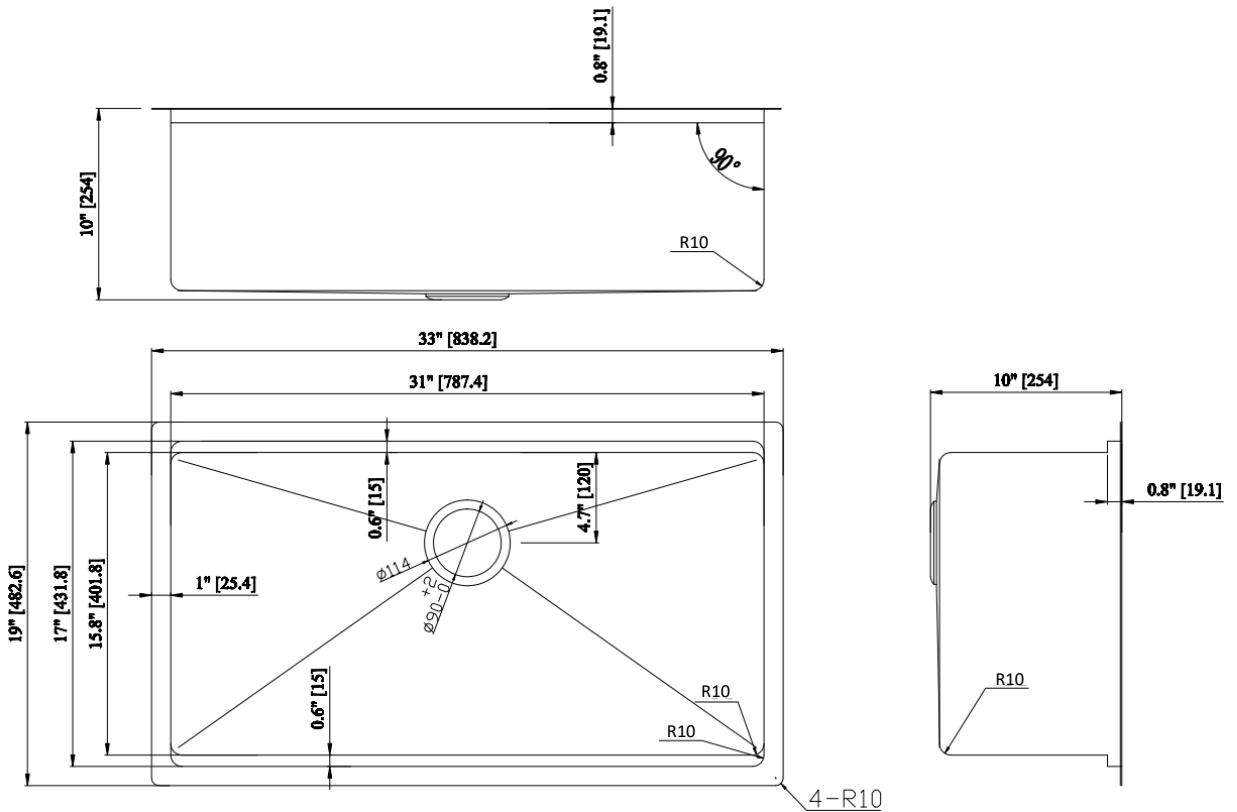
**Swan U3319 – R**



### Standards / Certification

This product is cUPC® certified and complies with ASME A112.19.3-2022 and CSA B45.4:22. Certification is issued by IAPMO®.





## TECHNICAL SPECIFICATIONS

### Material & Finish (All dimensions are nominal)

### Bowl Dimensions: (Refer to dimensional drawing for exact measurements)

- Length: 31" (787.4mm)
- Width: 15.8" (401.8mm)
- Bowl Depth: 10" (254mm)

### Overall Sink Dimensions:

- Overall Length: 33" (838.2mm)
- Overall Width: 19" (482.6mm)

### Technical Information

- Overflow: None
- Divider: None
- Number of Deck Holes: 0
- Faucet Hole Diameters: -
- Drain Hole Diameters:  $\varnothing 90\text{mm}$

Note: Install strictly in accordance with the supplied installation instructions.

