

Features

- Designed to fit cabinetry with a minimum base size of 36" (914.4 mm)
- Workstation equal double bowl configuration enables efficient multitasking with coordinated accessory support across both bowls.
- 10" (254 mm) deep bowls accommodate large cookware and daily kitchen tasks
- R10 radius corners enhance hygiene and simplify cleaning while maintaining a clean, modern appearance
- Compatible with coordinated accessory system for enhanced workflow

Material & Finish

- Manufactured from high-quality 304 stainless steel
- Available in 16-gauge, 18-gauge, and 20-gauge options
- Engineered for corrosion resistance, surface durability, and long-term performance

Recommended Products/Accessories

- LST0 Stainless Steel Strainer
- LGDE0-3319 Stainless Steel Bottom Grid
- LRMO Stainless Steel Roll Mat
- LCLOR Stainless Steel Colander
- LCBSW-17 Wood Cutting Board

Installation

- Under-mount

Double Bowl Under mount
Workstation Sink

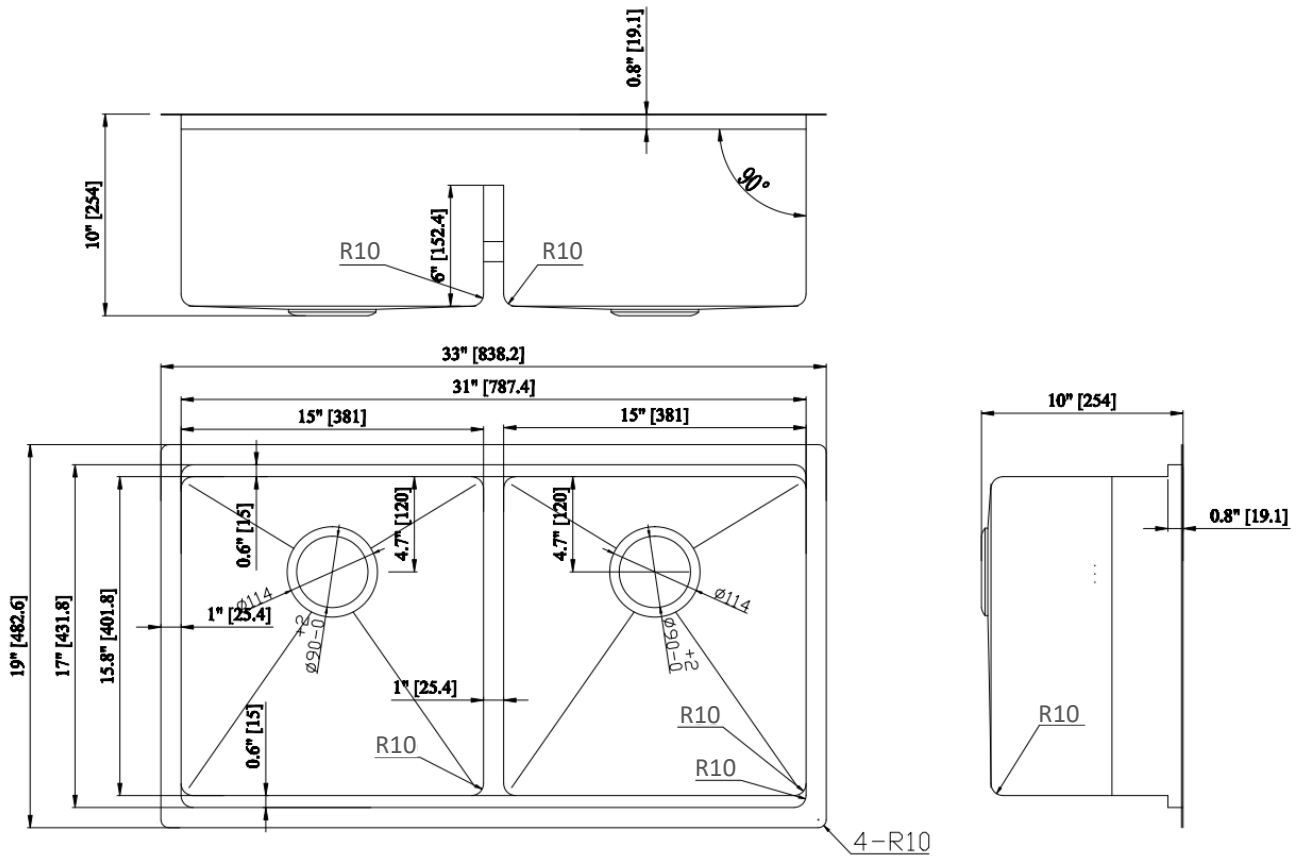
Swan U3319 - RSX



Standards / Certification

This product is cUPC® certified and complies with ASME A112.19.3-2022 and CSA B45.4:22. Certification is issued by IAPMO®.





TECHNICAL SPECIFICATIONS

Material & Finish (All dimensions are nominal)

Bowl Dimensions: (Refer to dimensional drawing for exact measurements)

Left Bowl

- Length: 15" (381mm)
- Width: 15.8" (401.8mm)
- Bowl Depth: 10" (254mm)

Left Bowl

- Length: 15" (381mm)
- Width: 15.8" (401.8mm)
- Bowl Depth: 10" (254mm)

Overall Sink Dimensions:

- Overall Length: 33" (838.2mm)
- Overall Width: 19" (482.6mm)

Technical Information

- Overflow: None
- Divider: Short
- Number of Deck Holes: 0
- Faucet Hole Diameters: -
- Drain Hole Diameters: ø90mm

Note: Install strictly in accordance with the supplied installation instructions.

Register Your Product Online:

<https://luvin.ca/warranty/registration>

Address: 27465 55 Avenue, Langley, BC, Canada V4W 3Y1

Telephone number: 1-877-418-0603

