

Features

- Designed to fit cabinetry with a minimum base size of 36" (914.4 mm)
- Workstation equal double bowl configuration enables efficient multitasking with coordinated accessory support across both bowls
- 10" (254 mm) deep bowls accommodate large cookware and daily kitchen tasks
- R10 radius corners enhance hygiene and simplify cleaning while maintaining a clean, modern appearance
- Compatible with coordinated accessory system for enhanced workflow

Double Bowl Under mount
Workstation Sink

Swan U3319-RFX



Material & Finish

- Manufactured from high-quality 304 stainless steel
- Available in 16-gauge, 18-gauge, and 20-gauge options
- Engineered for corrosion resistance, surface durability, and long-term performance

Recommended Products/Accessories

- LST0 Stainless Steel Strainer
- LGDE0-3319 Stainless Steel Bottom Grid
- LRMO Stainless Steel Roll Mat
- LCLOR Stainless Steel Colander
- LCBSW-17 Wood Cutting Board

Installation

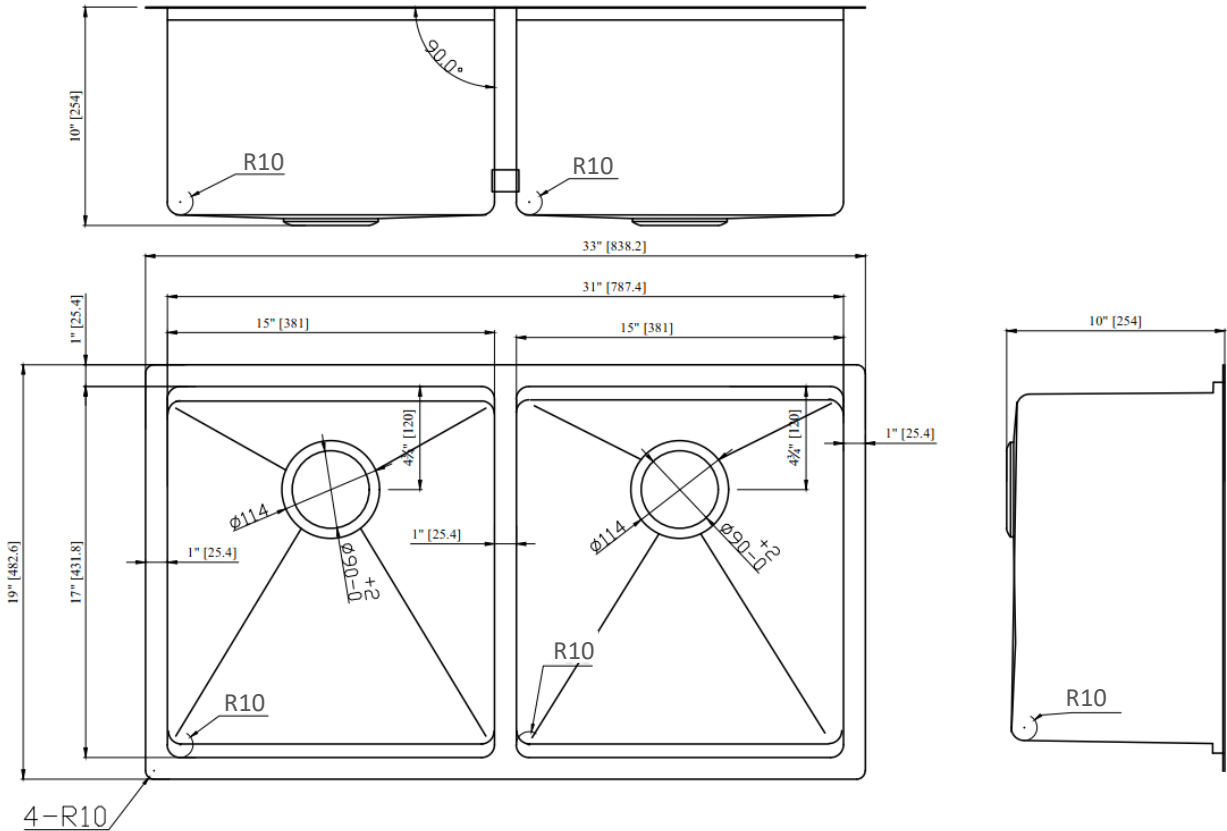
- Under-mount

Register Your Product Online:

<https://luvin.ca/warranty/registration>

Address: 27465 55 Avenue, Langley, BC, Canada V4W 3Y1





TECHNICAL SPECIFICATIONS

Material & Finish (All dimensions are nominal)

Bowl Dimensions: (Refer to dimensional drawing for exact measurements)

Left Bowl

- Length: 15" (381mm)
- Width: 17" (431.8mm)
- Bowl Depth: 10" (254mm)

Right Bowl

- Length: 15" (381mm)
- Width: 17" (431.8mm)
- Bowl Depth: 10" (254mm)

Overall Sink Dimensions:

- Overall Length: 33" (383.2mm)
- Overall Width: 19" (482.6mm)

Technical Information

- Overflow: None
- Divider: Full
- Number of Deck Holes: 0
- Faucet Hole Diameters: -
- Drain Hole Diameters: $\varnothing 90\text{mm}$

Note: Install strictly in accordance with the supplied installation instructions.

Register Your Product Online:

<https://luvin.ca/warranty/registration>

Address: 27465 55 Avenue, Langley, BC, Canada V4W 3Y1

Telephone number: 1-877-418-0603

